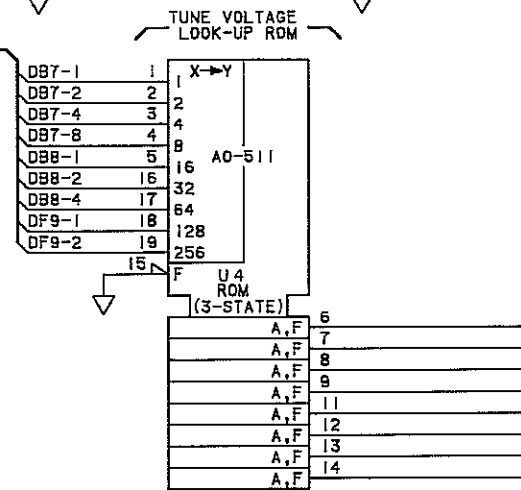


R3	R4	TP8	TP9	ACTION
L	H	+20V	+14V ±2V	DBLR BANDS DESELECTED
L	H	+20V	+4V	DBLR BAND #1 SELECTED
H	L	+20V	+14V ±2V	DBLR BANDS DESELECTED
H	L	-10V	+4V	DBLR BAND #2 SELECTED

L=TTL LOW, H=TTL HIGH



- NOTES
- REFER TO TABLE 8-102 FOR SCHEMATIC DIAGRAM NOTES.
  - TROUBLESHOOTING VALUES ARE TYPICAL. THEY ARE ACTUAL MEASURED VALUES. YOUR MEASUREMENTS MAY BE SLIGHTLY DIFFERENT THAN WHAT IS SHOWN.
  - THE SMALL CHIP COMPONENTS ON THIS ASSEMBLY REQUIRE LOW TEMPERATURE SOLDERING TECHNIQUES. USE SILVER SOLDER.
  - ASTERISK (\*) INDICATES THAT PARTS ARE SELECTED IN TEST. THE VALUES SHOWN ARE TYPICAL AND REPRESENT 0dB ATTENUATION. REFER TO SECTION V FOR PROCEDURES.
  - FERRITE BEADS E2-E3 CREATE AN INDUCTIVE REACTANCE, ENABLING THE IMPEDANCE TO GROUND AT THE JUNCTION OF CR4C AND D TO MATCH THAT AT THE JUNCTION OF CR5A AND B. ONLY THE OUTER SHIELD OF COAX W1 IS USED.
  - JUMPER WIRE IS INSTALLED FOR TROUBLESHOOTING ONLY. TO TURN PIN DIODE MODULATOR FULLY ON.

LOGIC LEVELS

HIGH	>+2V
LOW	<+0.8V
<	IS MORE NEG. THAN
>	IS MORE POS. THAN
OPEN	HIGH
GROUND	LOW

TRANSISTOR AND INTEGRATED CIRCUIT PART NUMBERS

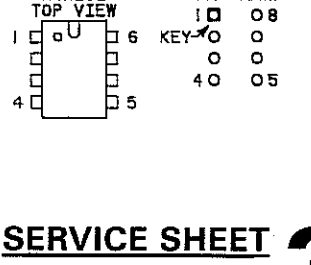
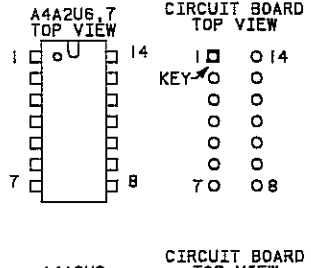
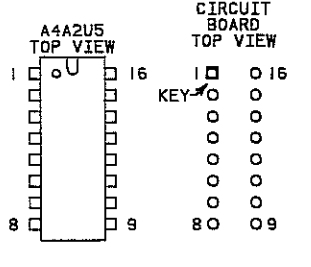
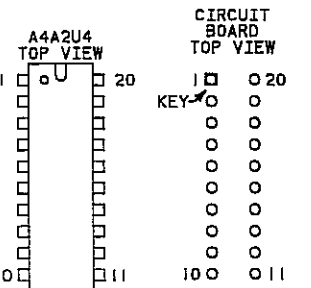
REFERENCE DESIGNATIONS	PART NUMBERS
Q1, 2, 5, 6	1853-0459
Q3	1854-0810
Q4	1854-0637
U2	826-0547
U3	08663-67001
U4	1815-100B
U5	826-0931
U6	820-0471
U7	826-0600

INTEGRATED CIRCUIT VOLTAGE AND GROUND CONNECTIONS

REFERENCE DESIGNATIONS	PIN NUMBERS
U4	+5V - 20
	-10 - 10
U6	+5V - 14
	-17

REFERENCE DESIGNATIONS

NO PREFIX	A4A2A1
W	C1-6
	CR1-5
	FL1-3
	J1-5
A4A2	L1-5
	R1-8
	U1, 2
C1-28	CR1-5
CR1-5	L1-7
L1-7	R1-8
R1-8	U1, 2
TP1-8, 10-13	A4A10
U2-7	J6
VR1-6	XA4A2



**SERVICE SHEET 33**  
**A4A2**

Figure 8-521. A4A2 Doupler #2 Schematic