

Figure 6-2. Front Panel Illustrated Parts Breakdown

Table 6-3. Replaceable Parts

Reference Designation	HP Part Number	C D	Qty	Description	Mfr Code	Mfr Part Number
MP1	08662-20036	6	1	CASTING, FRONT MACHINE	28480	08662-20036
MP2†	08662-00177	4	1	PANEL, SUB	28480	08662-00177
MP3	08662-20024	2	1	SUPPORT, PANEL, TOP	28480	08662-20024
MP4†	08662-20301	8	1	SUPPORT, PANEL, BOTTOM	28480	08662-20301
MP5	08662-00048	8	1	PANEL, MAIN, FRONT DRESS	28480	08662-00048
	0510-1148	2	12	RETAINER-PUSH ON KR-TO-SHFT EXT	28480	0510-1148
MP6	08662-00043	3	1	PANEL, SWEEP	28480	08662-00043
	0510-1148	2		RETAINER-PUSH ON KR-TO-SHFT EXT	28480	0510-1148
MP7†	08662-00178	5	1	PANEL, CONNECTOR (STANDARD)	28480	08662-00178
MP7	08662-00165	0	1	PANEL, CONNECTOR (OPTION 001)	28480	08662-00165
MP8	2190-0016	3	2	WASHER-LK INTL T 3/8 IN .377-IN-ID	28480	2190-0016
MP9	2950-0001	8	1	NUT-HEX-DBI -CHAM 3/8-32-THD .094-IN-THK	00000	ORDER BY DESCRIPTION
MP10	08662-00063	7	1	SUPPORT, PANEL, LEFT	28480	08662-00063
MP11†	08662-00176	3	1	SUPPORT, PANEL, RIGHT	28480	08662-00176
MP12†	08662-20300	7	2	PLN, HINGE	28480	08662-20300
MP13	7120-1254	1	1	NAMEPLATE .312-IN-WD .54-IN-LG AL	28480	7120-1254
MP14	5040-6928	4	1	DIVIDER STRIP	28480	5040-6928
MP15	0370-2389	7	1	KNOB-BASE 1-1/2 JGK .25-IN-ID	28480	0370-2389
	3030-0033	7	1	SCREW-SET 6-32 .188-IN-LG SMALL CUP-PT	00000	ORDER BY DESCRIPTION
MP16	0590-1011	6	2	NUT-KNRLD-R 15/32-32-THD .12-IN-THK	28480	0590-1011
MP17	0510-0045	6	6	RETAINER-RTNG E-R EXT .188-IN-DIA STI	28480	0510-0045
MP18	3050-0226	2	4	WASHER-FL MTLG NO. 10 .203-IN-ID	28480	3050-0226
MP19	08662-20038	8	3	PAD, LED SINGLE	28480	08662-20038
MP20	08662-20039	9	3	HEAT SINK, LED, SINGLE	28480	08662-20039
MP21	08672-20056	2	5	PAD, LED DOUBLE	28480	08672-20056
MP22	08672-20057	3	5	HEAT SINK, LED DOUBLE	28480	08672-20057
MP23	08672-40006	4	3	HOUSING, LAMP, LONG	28480	08672-40006
MP24	08672-40007	5	13	HOUSING, LAMP, SHORT	28480	08672-40007
MP25	08672-40008	6	3	BAR, LIGHT, LONG	28480	08672-40008
MP26	08672-40009	7	13	BAR, LIGHT, SHORT	28480	08672-40009
MP27	08672-40010	0	16	PLUG, LIGHT	28480	08672-40010
MP28	1600-0692	1	3	CLIP, RETAINING	28480	1600-0692
MP29	2190-0368	5	4	WASHER-LK INTL T 1/2 IN .535-IN-ID	28480	2190-0368
MP30	08662-00158	1	1	SCREEN, LED	28480	08662-00158
MP31	08662-20017	3	1	WINDOW, FRONT	28480	08662-20017
MP32	2200-0165	6	13	SCREW-MACH 4-40 .25-IN-LG 82 DEG	00000	ORDER BY DESCRIPTION
MP33	2200-0103	2	15	SCREW-MACH 4-40 .25-IN-LG PAN-HD-POZI	00000	ORDER BY DESCRIPTION
MP34	1400-0053	4	1	CLAMP-CABLE .172-DIA .375-WD NYL	28480	1400-0053
	3050-0135	6	1	WASHER-FL MTLG NO. 4 .125-IN-ID	28480	3050-0135
	2190-0003	8	1	WASHER-LK HLCL NO. 4 .115-IN-ID	28480	2190-0003
	2200-0145	2	1	SCREW-MACH 4-40 .438-IN-LG PAN-HD-POZI	00000	ORDER BY DESCRIPTION
MP35	2200-0109	8	18	SCREW-MACH 4-40 .438-IN-LG PAN-HD-POZI	00000	ORDER BY DESCRIPTION
MP36†	08662-00172	9	9	SHIELD-ATTENUATOR HOUSING	28480	08662-00172
MP37†	08662-00175	2	1	** DELETE FOR PREFIXES 1833A & BELOW.	28480	08662-00175
MP38†	08731-2102	8	1	BRACKET-FRONT PANEL OUTPUT	28480	08731-2102
MP39-						
MP50				NOT ASSIGNED		

See introduction to this section for ordering information

*Indicates factory selected value

† FOR BACKDATING INFORMATION SEE SECTION VII

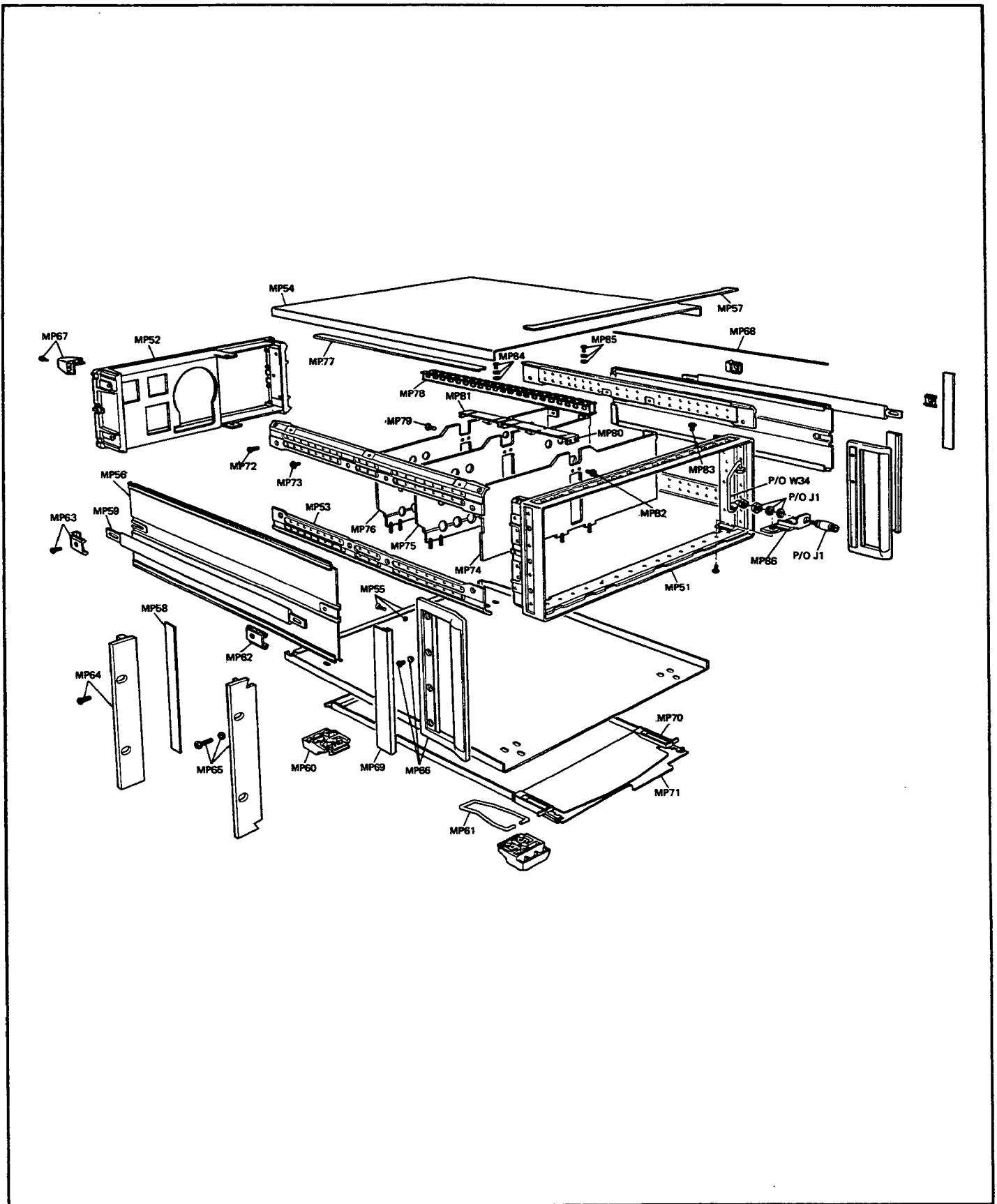


Figure 6-3. Chassis Illustrated Parts Breakdown

Table 6-3. Replaceable Parts

Reference Designation	HP Part Number	C D	Qty	Description	Mfr Code	Mfr Part Number
MP51	5020-8805	8	1	FRAME, FRONT	28480	5020-8805
MP52	08662-00056	8	1	PANEL, REAR	28480	08662-00056
MP53	5020-8837	6	4	STRUT, CORNER, W/O TAPPED HOLES	28480	5020-8837
MP54	5060-9835	0	1	COVER, TOP	28480	5060-9835
	0570-1171	7	2	SCREW-SPCL 6-32 .468-IN-LG UNCT 100	00000	ORDER BY DESCRIPTION
	0510-0015	0	2	RETAINER-RING E-R EXT .125-IN-DIA STL	28480	0510-0015
	7120-5911	5	1	LABEL, METRIC FASTENERS INFORMATION	28480	7120-5911
	7120-8138	4	2	LABEL-CAUTION	28480	7120-8138
MP55	5060-9847	4	1	COVER, BOTTOM	28480	5060-9847
	0570-1171	7	2	SCREW-SPCL 6-32 .468-IN-LG UNCT 100	00000	ORDER BY DESCRIPTION
	0510-0015	0	2	RETAINER-RING E-R EXT .125-IN-DIA STL	28480	0510-0015
	7120-8138	4	2	LABEL-CAUTION	28480	7120-8138
MP56	5060-9942	0	2	COVER, SIDE, PERFORATED	28480	5060-9942
MP57	5040-7202	9	1	TRIM, TOP	28480	5040-7202
MP58	5001-0440	1	2	TRIM, SIDE (STANDARD ONLY)	28480	5001-0440
MP59	5060-9804	3	2	HANDLE STRAP	28480	5060-9804
MP60	5040-7201	8	4	FOOT (STANDARD)	28480	5040-7201
MP61	1460-1345	5	2	TILT STAND, SST (WIRE FORM)	28480	1460-1345
MP62	5040-7219	8	2	STRAP, HANDLE, CAP-FRONT	28480	5040-7219
	2680-0118	5	2	SCREW-MACH 10-32 .5-IN-LG 82 DEG	00000	ORDER BY DESCRIPTION
MP63	5040-7220	1	2	STRAP, HANDLE, CAP-REAR	28480	5040-7220
	2680-0118	5	2	SCREW-MACH 10-32 .5-IN-LG 82 DEG	00000	ORDER BY DESCRIPTION
MP64	5020-8863	8	2	FLANGE-W/O FRONT HANDLE KIT	28480	5020-8863
	2510-0193	7	8	(OPTION 908 ONLY) SCREW-MACH 8-32 .375-IN-LG PAN-HD-POZI	28480	2510-0193
				(OPTION 908 ONLY)		
MP65	5020-8875	2	2	FLANGE-WITH FRONT HANDLE KIT	28480	5020-8875
	2510-0194	8	8	(OPTION 909 ONLY) SCREW-MACH 8-32 .625-IN-LG PAN-HD-POZI	28480	2510-0194
				(OPTION 909 ONLY)		
	2190-0009	4	8	WASHER-LK INTL T NO. 8 .168-IN-ID	28480	2190-0009
				(OPTION 909 ONLY)		
MP66	5060-9900	0	2	HANDLE	28480	5060-9900
	2510-0195	9	8	(OPTIONS 907 AND 909) SCREW-MACH 8-32 .375-IN-LG 100 DEG	28480	2510-0195
				(OPTION 907 ONLY)		
	2190-0048	1	8	WASHER-LK 82 CTSK EXT T NO. 8 .168-IN-ID	28480	2190-0048
				(OPTION 907 ONLY)		
MP67	5040-7221	2	4	STAND-OFF, REAR PANEL	28480	5040-7221
	2360-0197	2	4	SCREW-MACH 6-32 .375-IN-LG PAN-HD-POZI	00000	ORDER BY DESCRIPTION
MP68	8160-0226	0	12	RFI ROUND STRIP HNL-KSH .05-IN-OD	28480	8160-0226
MP69	5020-8897	8	2	TRIM	28480	5020-8897
				(OPTION 907 ONLY)		
MP70	5061-2033	8	1	TRAY	28480	5061-2033
MP71	7120-7205	4	1	PULL OUT CARD	28480	7120-7205
MP72	2510-0192	6	16	SCREW-MACH 8-32 .25-IN-LG 100 DEG	00000	ORDER BY DESCRIPTION
MP73	2360-0113	2	6	SCREW-MACH 6-32 .25-IN-LG PAN-HD-POZI	00000	ORDER BY DESCRIPTION
MP74	08662-00051	3	1	GUSSET, FRONT	28480	08662-00051
MP75	08662-00052	4	1	GUSSET, CENTER	28480	08662-00052
MP76	08662-00053	5	1	GUSSET, REAR	28480	08662-00053
MP77	08662-00034	2	1	COVER, DUCT	28480	08662-00034
MP78	08662-00035	3	1	DUCT, WIRE	28480	08662-00035
MP79	2360-0117	6	6	SCREW-MACH 6-32 .375-IN-LG PAN-HD-POZI	00000	ORDER BY DESCRIPTION
MP80	08662-00132	1	1	SUPPORT, GUSSET 1	28480	08662-00132
MP81	08662-00133	2	1	SUPPORT, GUSSET 2	28480	08662-00133
MP82	2360-0115	4	2	SCREW-MACH 6-32 .312-IN-LG PAN-HD-POZI	00000	ORDER BY DESCRIPTION
MP83	2360-0116	5	4	SCREW-MACH 6-32 .312-IN-LG 82 DEG	00000	ORDER BY DESCRIPTION
MP84	2360-0195	0	5	SCREW-MACH 6-32 .312-IN-LG PAN-HD-POZI	00000	ORDER BY DESCRIPTION
	2190-0006	1	7	WASHER-LK HLCL NO. 6 .141-IN-ID	28480	2190-0006
	3050-0227	3	7	WASHER-FL HTLC NO. 6 .149-IN-ID	28480	3050-0227
MP85	2360-0193	8	2	SCREW-MACH 6-32 .25-IN-LG PAN-HD-POZI	00000	ORDER BY DESCRIPTION
	2190-0006	1	7	WASHER-LK HLCL NO. 6 .141-IN-ID	28480	2190-0006
	3050-0227	3	7	WASHER-FL HTLC NO. 6 .149-IN-ID	28480	3050-0227
MP86- MP100				NOT ASSIGNED		

See introduction to this section for ordering information
 *Indicates factory selected value

Table 6-3. Replaceable Parts

Reference Designation	HP Part Number	C D	Qty	Description	Mfr Code	Mfr Part Number
MP101	6960-0003	5	1	PLUS-HOLE DOME-HD FOR .75-D-HOLE STL (FOR STANDARD INSTRUMENT ONLY)	28480	6960-0003
MP102	08662-00057	9	1	COVER, FAN	28480	08662-00057
MP103	4208-0220	2	2	CUSHION, FAN COVER	28480	4208-0220
	86701-00017	3	1	DISK, FAN SHIELD	28480	86701-00017
MP104	08662-00036	4	1	SUPPORT, N (OPTION 001 ONLY)	28480	08662-00036
MP105	08662-00011	5	1	COVER, TRANSFORMER	28480	08662-00011
MP106	08662-20040	2	2	SCREW, PS	28480	08662-20040
MP107	08662-00159	2	1	INSULATOR, LINE FILTER	28480	08662-00159
MP108	08662-20060	6	2	SUPPORT, LINE FILTER	28480	08662-20060
MP109	08662-00028	4	1	DEFLECTOR, AIR	28480	08662-00028
MP110	08662-00013	7	1	SUPPORT, MOLEX, UPPER	28480	08662-00013
MP111	08662-00134	3	1	SUPPORT, GUSSET, REAR	28480	08662-00134
MP112	08662-00012	6	1	SUPPORT, BNC	28480	08662-00012
MP113	08662-00058	0	1	PLATE, FUSE (INCLUDES J2 AND S2, NSR)	28480	08662-00058
MP114	2110-0564	8	2	FUSEHOLDER BODY 12A MAX FOR UL	H9027	031.1657
MP115	2110-0569	3	2	NUT, FUSEHOLDER	28480	2110-0569
MP116	2110-0565	9	2	FUSEHOLDER CAP 12A MAX FOR UL	28480	2110-0565
MP117	2360-0242	8	3	SCREW-MACH 6-32 1.25-IN-LG PAN-HD-POZI	00000	ORDER BY DESCRIPTION
MP118	2200-0104	3	2	SCREW-MACH 4-40 .25-IN-LG 82 DEG	00000	ORDER BY DESCRIPTION
MP119	2360-0113	2	5	SCREW-MACH 6-32 .25-IN-LG PAN-HD-POZI	00000	ORDER BY DESCRIPTION
MP120	2420-0001	5	2	NUT-HEX-W/LKWR 6-32-THD .109-IN-THK	00000	ORDER BY DESCRIPTION
MP121	2360-0318	9	4	SCREW-MACH 6-32 1.875-IN-LG PAN-HD-POZI	00000	ORDER BY DESCRIPTION
MP122	2190-0006	1	4	WASHER-LK HLCL NO. 6 .141-IN-ID	28480	2190-0006
MP123	3050-0227	3	6	WASHER-FL MTLCL NO. 6 .149-IN-ID	28480	3050-0227
MP124	2360-0113	2	2	SCREW-MACH 6-32 .25-IN-LG PAN-HD-POZI	00000	ORDER BY DESCRIPTION
MP125	0520-0129	8	2	SCREW-MACH 2-56 .312-IN-LG PAN-HD-POZI	00000	ORDER BY DESCRIPTION
MP126	2190-0014	1	2	WASHER-LK INTL T NO. 2 .089-IN-ID	28480	2190-0014
MP127	0590-1011	6	2	NUT-KNRLD-R 15/32-32-THD .12-IN-THK	28480	0590-1011
MP128	2190-0068	5	2	WASHER-LK INTL T 1/2 IN .505-IN-ID	28480	2190-0068
MP129	0610-0001	6	2	NUT-HEX-DBL-CHAM 2-56-THD .062-IN-THK	00000	ORDER BY DESCRIPTION
MP130	0360-0002	6	1	TERMINAL-SLDR LUG PL-MTG FOR-#2-SCR	28480	0360-0002
MP131	2190-0016	3	3	WASHER-LK INTL T 3/8 IN .377-IN-ID	28480	2190-0016
MP132	2950-0001	8	3	NUT-HEX-DBL-CHAM 3/8-32-THD .094-IN-THK	00000	ORDER BY DESCRIPTION
MP133	2510-0045	8	2	SCREW-MACH 8-32 .375-IN-LG PAN-HD-POZI	00000	ORDER BY DESCRIPTION
MP134	3050-0001	1	2	WASHER-FL MTLCL NO. 8 .172-IN-ID	28480	3050-0001
MP135	2200-0056	4	2	SCREW-MACH 4-40 .188-IN-LG 82 DEG	00000	ORDER BY DESCRIPTION
MP136	2360-0182	5	2	SCREW-MACH 6-32 .312-IN-LG 82 DEG	00000	ORDER BY DESCRIPTION
MP137	2200-0101	0	2	SCREW-MACH 4-40 .188-IN-LG PAN-HD-POZI	00000	ORDER BY DESCRIPTION
MP138	3050-0105	6	4	WASHER-FL MTLCL NO. 4 .125-IN-ID	28480	3050-0105
MP139	2360-0117	6	1	SCREW-MACH 6-32 .375-IN-LG PAN-HD-POZI	00000	ORDER BY DESCRIPTION
MP140	08662-00020	6	1	SHIELD, CABLE	28480	08662-00020
MP142	0590-0076	1	2	NUT-HEX-PLSTC LKG 4-40-THD .143-IN-THK	28480	0590-0076
MP143	1250-0043	3	8		28480	1250-0043
MP144	3050-0227	3		WASHER-FL MTLCL NO. 6 .149-IN-ID	28480	3050-0227
MP145	2360-0123	4	2	SCREW-MACH 6-32 .625-IN-LG PAN-HD-POZI	00000	ORDER BY DESCRIPTION
MP146-				NOT ASSIGNED		
MP160						

See introduction to this section for ordering information
 *Indicates factory selected value

Table 6-3. Replaceable Parts

Reference Designation	HP Part Number	C D	Qty	Description	Mfr Code	Mfr Part Number
P1	1251-3159	0	1	CONNECTOR		
	1251-2418	2	8	CONNECTOR 9-PIN F UTILITY	28480	1251-3159
	08662-60160	1	1	CONTACT-CONN U/W-UTIL FEM CRP	28480	1251-2418
P2	1251-4365	2	1	BOARD ASSY, DISTRIBUTION	28480	08662-60160
P3	1251-3967	8	16	CONNECTOR 12-PIN F POST TYPE	28480	1251-4365
	1251-3967	8	16	CONTACT-CONN U/W-POST-TYPE FEM CRP	28480	1251-3967
	1251-3963	4	3	KEY-POST CONN	28480	1251-3963
P4	1251-4311	8	1	CONNECTOR 8-PIN F POST TYPE	28480	1251-4311
	1251-3967	8	8	CONTACT-CONN U/W-POST-TYPE FEM CRP	28480	1251-3967
	1251-3963	4	4	KEY-POST CONN	28480	1251-3963
	1251-0249	3	1	CONNECTOR 7-PIN F CIRC STANDARD	28480	1251-0249
R1				NOT ASSIGNED		
R2				NOT ASSIGNED		
R3	0757-0279	0	2	RESISTOR 3.16K 1% .125W F TC=0+-100	24546	C4-1/8-T0-3161-F
R4	0698-7283	4	2	RESISTOR 90.9K 1% .05W F TC=0+-100	24546	C3-1/8-T0-9092-F
R5	0698-7260	7	1	RESISTOR 10K 1% .05W F TC=0+-100	24546	C3-1/8-T0-1002-F
R6	0698-7283	4	4	RESISTOR 90.9K 1% .05W F TC=0+-100	24546	C3-1/8-T0-9092-F
R7				NOT ASSIGNED		
R8				NOT ASSIGNED		
R9				NOT ASSIGNED		
R10	0698-7244	7	10	RESISTOR 2.15K 1% .05W F TC=0+-100	24546	C3-1/8-T0-2151-F
R11	0698-7244	7	7	RESISTOR 2.15K 1% .05W F TC=0+-100	24546	C3-1/8-T0-2151-F
R12	0698-7244	7	7	RESISTOR 2.15K 1% .05W F TC=0+-100	24546	C3-1/8-T0-2151-F
R13	0698-7244	7	7	RESISTOR 2.15K 1% .05W F TC=0+-100	24546	C3-1/8-T0-2151-F
R14	0698-7244	7	7	RESISTOR 2.15K 1% .05W F TC=0+-100	24546	C3-1/8-T0-2151-F
R15	0698-7244	7	7	RESISTOR 2.15K 1% .05W F TC=0+-100	24546	C3-1/8-T0-2151-F
R16				NOT ASSIGNED		
R17				NOT ASSIGNED		
R18	0757-0279	0	7	RESISTOR 3.16K 1% .125W F TC=0+-100	24546	C4-1/8-T0-3161-F
R19	0698-7244	7	7	RESISTOR 2.15K 1% .05W F TC=0+-100	24546	C3-1/8-T0-2151-F
R20	0698-7244	7	7	RESISTOR 2.15K 1% .05W F TC=0+-100	24546	C3-1/8-T0-2151-F
R21	0698-7244	7	7	RESISTOR 2.15K 1% .05W F TC=0+-100	24546	C3-1/8-T0-2151-F
R22	0698-7244	7	7	RESISTOR 2.15K 1% .05W F TC=0+-100	24546	C3-1/8-T0-2151-F
S1	3101-0613	0	1	SWITCH, TOGGLE	28480	3101-0613
S2				P/O MP113, NSR		
T1	9100-4014	7	1	TRANSFORMER HEATER	28480	9100-4014
U1	08662-60078	0	1	GEN ROTARY PULSE ASSEMBLY	28480	08662-60078
	1251-3963	4	1	MADE UP OF THE FOLLOWING:		
	5060-0329	9	1	KEY-POST CONN	28480	1251-3963
	1251-3967	8	1	GEN ROTARY PULSE	28480	5060-0329
	1251-4511	0	1	CONTACT-CONN U/W-POST-TYPE FEM CRP	28480	1251-3967
				CONNECTOR 6-PIN F POST TYPE	28480	1251-4511
U2				NOT ASSIGNED		
U3	1990-0503	8	17	DISPLAY-NUM-DOT MAT 1-CHAR .29-H	28480	5082-7302, CAT D
U4	1990-0503	8	17	DISPLAY-NUM-DOT MAT 1-CHAR .29-H	28480	5082-7302, CAT D
U5	1990-0503	8	17	DISPLAY-NUM-DOT MAT 1-CHAR .29-H	28480	5082-7302, CAT D
U6	1990-0503	8	17	DISPLAY-NUM-DOT MAT 1-CHAR .29-H	28480	5082-7302, CAT D
U7	1990-0503	8	8	DISPLAY-NUM-DOT MAT 1-CHAR .29-H	28480	5082-7302, CAT D
U8	1990-0503	8	8	DISPLAY-NUM-DOT MAT 1-CHAR .29-H	28480	5082-7302, CAT D
U9	1990-0503	8	8	DISPLAY-NUM-DOT MAT 1-CHAR .29-H	28480	5082-7302, CAT D
U10	1990-0503	8	8	DISPLAY-NUM-DOT MAT 1-CHAR .29-H	28480	5082-7302, CAT D
U11	1990-0503	8	8	DISPLAY-NUM-DOT MAT 1-CHAR .29-H	28480	5082-7302, CAT D
U12	1990-0503	8	8	DISPLAY-NUM-DOT MAT 1-CHAR .29-H	28480	5082-7302, CAT D
U13	1990-0503	8	8	DISPLAY-NUM-DOT MAT 1-CHAR .29-H	28480	5082-7302, CAT D
U14				NOT ASSIGNED		
U15				NOT ASSIGNED		
U16	1990-0503	8	8	DISPLAY-NUM-DOT MAT 1-CHAR .29-H	28480	5082-7302, CAT D
U17	1990-0503	8	8	DISPLAY-NUM-DOT MAT 1-CHAR .29-H	28480	5082-7302, CAT D
U18	1990-0503	8	8	DISPLAY-NUM-DOT MAT 1-CHAR .29-H	28480	5082-7302, CAT D
U19				NOT ASSIGNED		
U20				NOT ASSIGNED		
U21	1990-0399	0	1	DISPLAY-AN-DOT MAT 1-CHAR .135-H	28480	5082-7304
U22	1990-0503	8	8	DISPLAY-NUM-DOT MAT 1-CHAR .29-H	28480	5082-7302, CAT D
U23	1990-0503	8	8	DISPLAY-NUM-DOT MAT 1-CHAR .29-H	28480	5082-7302, CAT D
U24	1990-0503	8	8	DISPLAY-NUM-DOT MAT 1-CHAR .29-H	28480	5082-7302, CAT D
W1	08662-60021	3	1	CABLE ASSY (963)	28480	08662-60021
W2	08662-60022	4	1	CABLE ASSY (965)	28480	08662-60022
W3	08662-60023	5	1	CABLE ASSY (960)	28480	08662-60023
W4	08662-60024	6	1	CABLE ASSY (935)	28480	08662-60024
W5	08662-60025	7	1	CABLE ASSY (967)	28480	08662-60025

See introduction to this section for ordering information
 *Indicates factory selected value

Table G-3. Replaceable Parts

Reference Designation	HP Part Number	C D	Qty	Description	Mfr Code	Mfr Part Number
W6	08662-60026	8	1	CABLE ASSY (962)	28480	08662-60026
W7	08662-60027	9	1	CABLE ASSY (966)	28480	08662-60027
W8	08662-60028	0	1	CABLE ASSY (964)	28480	08662-60028
W9	08662-60029	1	1	CABLE ASSY (973)	28480	08662-60029
W10	08662-60030	4	1	CABLE ASSY (961)	28480	08662-60030
W11	08662-60031	5	1	CABLE ASSY (975)	28480	08662-60031
W12	08662-60032	6	1	CABLE ASSY (972)	28480	08662-60032
W13	08662-60033	7	1	CABLE ASSY (974)	28480	08662-60033
W14	08662-60034	8	1	CABLE ASSY (971)	28480	08662-60034
W15	08662-60035	9	1	CABLE ASSY (948)	28480	08662-60035
W16	08662-60036	0	1	CABLE ASSY (934)	28480	08662-60036
W17	08662-60037	1	1	CABLE ASSY (936)	28480	08662-60037
W18	08662-60038	2	1	CABLE ASSY (937)	28480	08662-60038
W19	08662-60039	3	1	CABLE ASSY (933)	28480	08662-60039
W20	08662-60040	6	1	CABLE ASSY (930)	28480	08662-60040
W21	08662-60041	7	1	CABLE ASSY (932)	28480	08662-60041
W22	08662-60042	8	1	CABLE ASSY (931)	28480	08662-60042
W23	08662-60043	9	1	CABLE ASSY (951)	28480	08662-60043
W24	08662-60044	0	1	CABLE ASSY (950)	28480	08662-60044
W25	08662-60045	1	1	CABLE ASSY (924)	28480	08662-60045
W26	08662-60046	2	1	CABLE ASSY (925)	28480	08662-60046
W27	08662-60047	3	1	CABLE ASSY (923)	28480	08662-60047
W28	08662-60048	4	1	CABLE ASSY (922)	28480	08662-60048
W29	08662-60049	5	1	CABLE ASSY (920)	28480	08662-60049
W30	08662-60050	8	1	CABLE ASSY (921)	28480	08662-60050
W31	08662-60051	9	1	CABLE ASSY (91)	28480	08662-60051
W32	08662-60052	0	1	CABLE ASSY (94)	28480	08662-60052
W33	08662-60053	1	1	CABLE ASSY (93)	28480	08662-60053
W34†	08662-20299	3	1	CABLE ASSY (8) STANDARD	28480	08662-20299
	08662-20076	4	1	CABLE, SEMI-RIGID (OPTION 001)	28480	08662-20076
W35	08662-60055	3	1	CABLE ASSY (941)DCU ASSY TO A4A9	28480	08662-60055
	1250-1091	3	2	CONNECTOR-RF BNC FEM SGL-HOLE-RR 50-OHM	28480	1250-1091
W36	08662-60056	4	1	CABLE ASSY (0)FRONT PANEL IO DCU ASSY	28480	08662-60056
	1250-1091	3		CONNECTOR-RF BNC FEM SGL-HOLE-RR 50-OHM NSR, PART OF W36 AND W36J1	28480	1250-1091
W37	08662-60057	5	1	CABLE ASSY (7)	28480	08662-60057
W38	08662-60058	6	1	CABLE ASSY (6)	28480	08662-60058
W39	08662-60059	7	1	CABLE ASSEMBLY, (1)	28480	08662-60059
W40	08662-60060	0	1	CABLE ASSY (3)	28480	08662-60060
W41	08662-60061	1	1	CABLE ASSEMBLY	28480	08662-60061
	1250-0870	4	2	CONNECTOR-RF BNC FEM SGL-HOLE-RR 50-OHM	28480	1250-0870
	2190-0068	5	1	WASHER-LK INTL T 1/2 IN .505-IN-ID	28480	2190-0068
	0590-1011	6	2	NUT-KNRLD-R 15/32-32-THD .12-IN-THK	28480	0590-1011
	2950-0001	8	1	NUT-HEX-DBL-CHAM 3/8-32-THD .094-IN-THK	00000	ORDER BY DESCRIPTION
	2190-0066	3	2	WASHER-LK EXT T NO. 10 .195-IN-ID	28480	2190-0066
W42	08662-60062	2	1	CABLE ASSY (90)	28480	08662-60062
	1250-0870	4		CONNECTOR-RF BNC FEM SGL-HOLE-RR 50-OHM	28480	1250-0870
	0590-1011	6		NUT-KNRLD-R 15/32-32-THD .12-IN-THK	28480	0590-1011
	2190-0066	3		WASHER-LK EXT T NO. 10 .195-IN-ID	28480	2190-0066
W43†	08662-20080	0	1	CABLE ASSY (A101 TO A2A11)	28480	08662-20080
W44	8120-2314	7	2	CABLE ASSY 26AWG 7-CNDCT (A6A9 TO A8A2)	28480	8120-2314
W45	8120-2676	4	1	CABLE ASSEMBLY (25) (A2A10 TO A6A10)	28480	8120-2676
W45	08662-00161	6	2	CLAMP, CABLE	28480	08662-00161
W46	8120-2314	7		CABLE ASSY 26AWG 7-CNDCT (A6A9 TO A8A1)	28480	8120-2314
W47	8120-2669	5	1	CABLE ASSY, READOUT (A1A1 TO A2A10)	28480	8120-2669
W48	8120-2670	8	1	CABLE ASSY, R-KEYBOARD (A1A3 TO A2A10)	28480	8120-2670
W49	8120-2671	9	1	CABLE ASSY, L-KEYBOARD (A1A2 TO A2A10)	28480	8120-2671
W50	8120-2673	1	1	CABLE ASSEMBLY, RIBBON (30) (A2A10 TO A9)	28480	8120-2673
W51	8120-2672	0	1	CABLE ASSEMBLY, RIBBON (31) (A2A10 TO A4A10)	28480	8120-2672
W52	8120-2674	2	1	CABLE ASSEMBLY, RIBBON (32) (A2A10 TO A3A11)	28480	8120-2674
W53	8120-2675	3	1	CABLE ASSEMBLY, RIBBON (33) (A2A10 TO A5A6)	28480	8120-2675
W54	08662-60074	6	1	CABLE ASSY (9)	28480	08662-60074
W55	08662-60020	2	1	CABLE ASSY (8)	28480	08662-60020
W56				POWER CABLE (SEE SECTION II)		
W57	8120-0009	3	1	CABLE-UNSHLD 18AWG 2-CNDCT BLK-JKT NSR - PART OF W61	28480	8120-0009
W58						
W59	08662-60076	8	1	CABLE ASSY (96)	28480	08662-60076
W60	08662-60077	9	1	CABLE ASSY (97)	28480	08662-60077
W61	08662-60017	7	1	WIRING HARNESS	28480	08662-60017

See introduction to this section for ordering information
*Indicates factory selected value

† FOR BACKDATING INFORMATION SEE SECTION VII