

Figure 6-1. Front Panel/Cabinet Exploded View

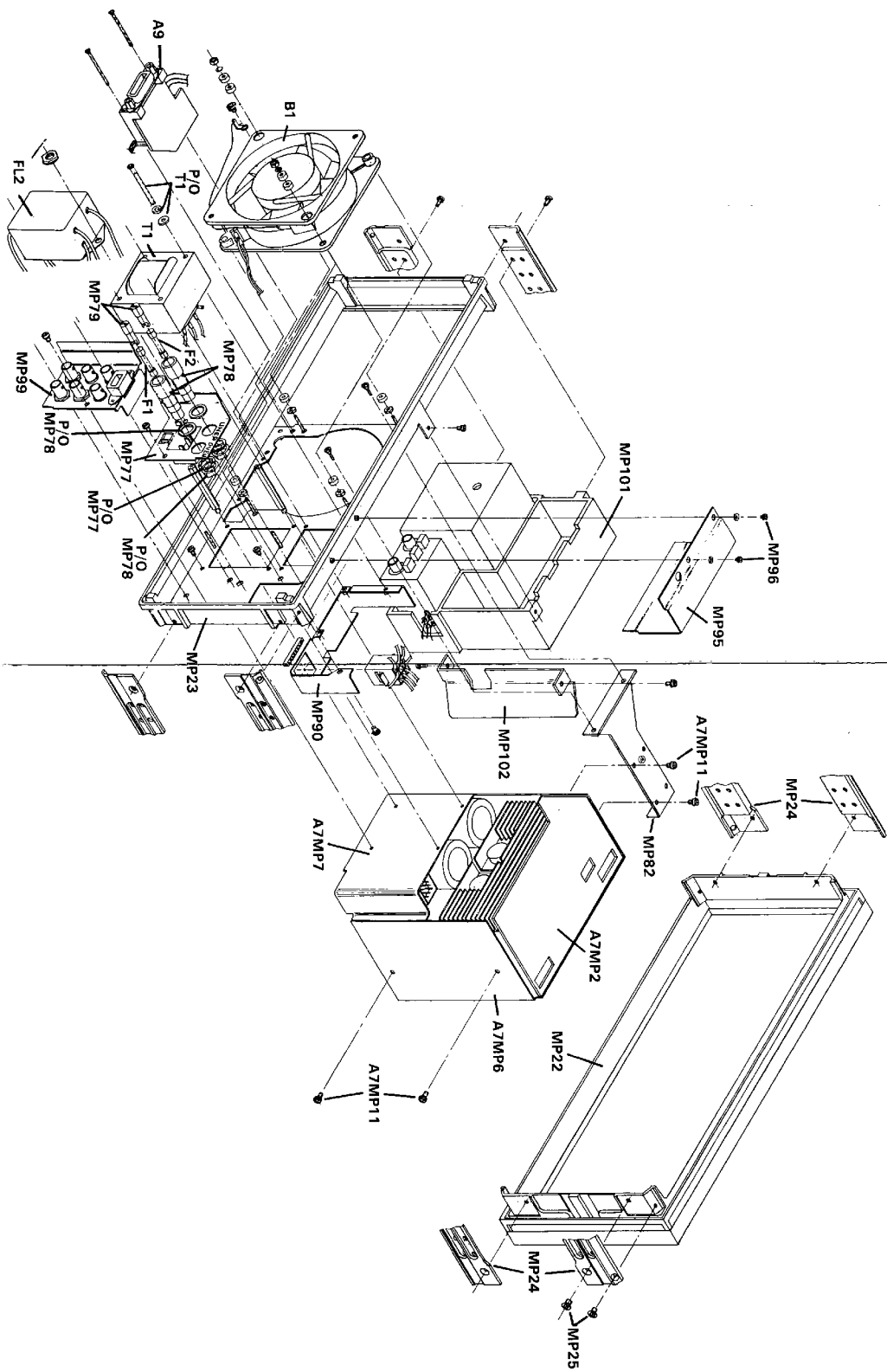


Figure 6-2. Rear Panel Cabinet Exploded View